



*Personal Computer  
Hardware Reference  
Library*

---

**IBM Personal Computer  
Data Acquisition and  
Control Adapter  
Distribution Panel  
Technical Reference**

DAC ADAPTER DISTRIBUTION PANEL

6138157

August 15, 1984

© Copyright IBM Corporation 1984

(

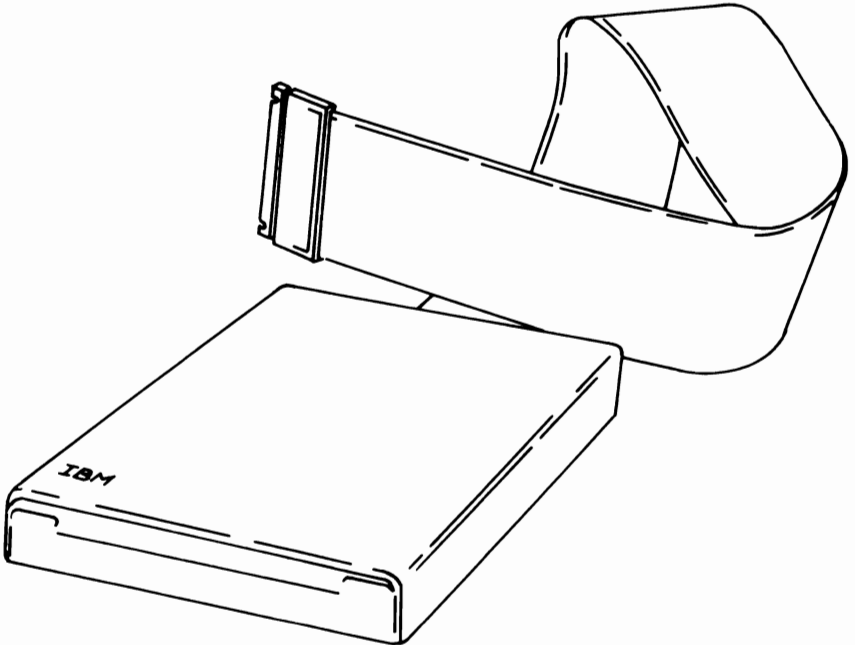
(

(

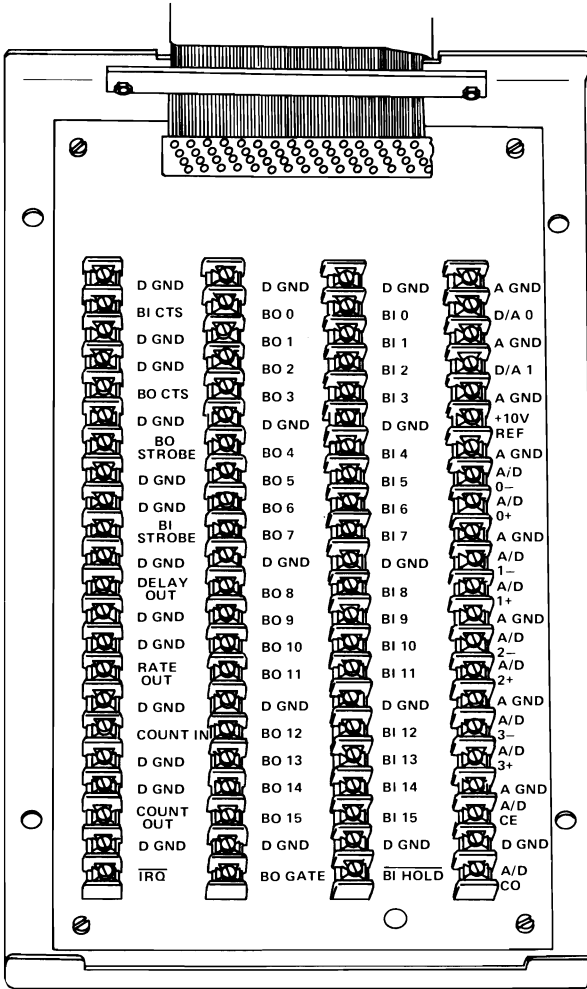
# IBM Personal Computer Data Acquisition and Control Adapter Distribution Panel

The IBM Personal Computer Data Acquisition and Control (Data Acquisition) Adapter Distribution Panel, with attached ribbon cable and 60-pin connector, is provided for external access to the Data Acquisition Adapter's analog I/O device, binary I/O device, and timer/counter device.

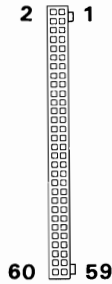
Four 22-screw terminal strips on the Distribution Panel allow the user to connect external devices to the Data Acquisition Adapter.



Following is a diagram of the distribution panel.

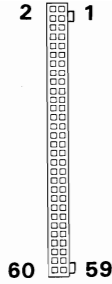


The following shows the signals at the distribution panel and the connector pins on which they appear.



	Signal Name/Description	Pin	
	D/A 1	1	
	D/A 0	2	
	+10V REF	3	
	A GND	4	
	A/D 0-	5	
	A/D 0+	6	
	A/D 1-	7	
	A/D 1+	8	
	A/D 2-	9	
	A/D 2+	10	
	A/D 3-	11	
<b>Distribution Panel</b>	A/D 3+	12	<b>Distribution Panel Connector</b>
	A GND	13	
	A/D CE	14	
	D GND	15	
	A/D CO	16	
	BI 8	17	
	BO 8	18	
	BI 9	19	
	BO 9	20	
	BI 10	21	
	BO 10	22	
	BI 11	23	
	BO 11	24	
	BI 12	25	
	BO 12	26	
	BI 13	27	
	BO 13	28	
	BI 14	29	
	BO 14	30	

Part 1 of 2



Signal Name/Description		Pin
Distribution Panel	BI 15	31
	BO 15	32
	BI HOLD	33
	BO GATE	34
	BI 0	35
	BO 0	36
	BI 1	37
	BO 1	38
	BI 2	39
	BO 2	40
	BI 3	41
	BO 3	42
	BI 4	43
	BO 4	44
	BI 5	45
	BO 5	46
	BI 6	47
	BO 6	48
	BI 7	49
	BO 7	50
	RATE OUT	51
	DELAY OUT	52
	BI STROBE	53
	BO STROBE	54
	BO CTS	55
	BI CTS	56
	IRQ	57
	COUNT OUT	58
	COUNT IN	59
	D GND	60

Distribution  
Panel  
Connector

Part 2 of 2